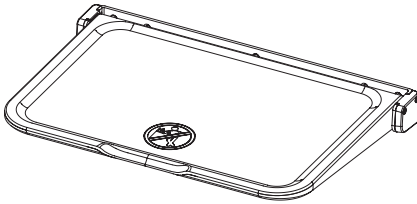


# HAND HYGIENE UTILITY SHELF ASSEMBLY INSTRUCTIONS

22" Width



## SHIPPED COMPONENTS:

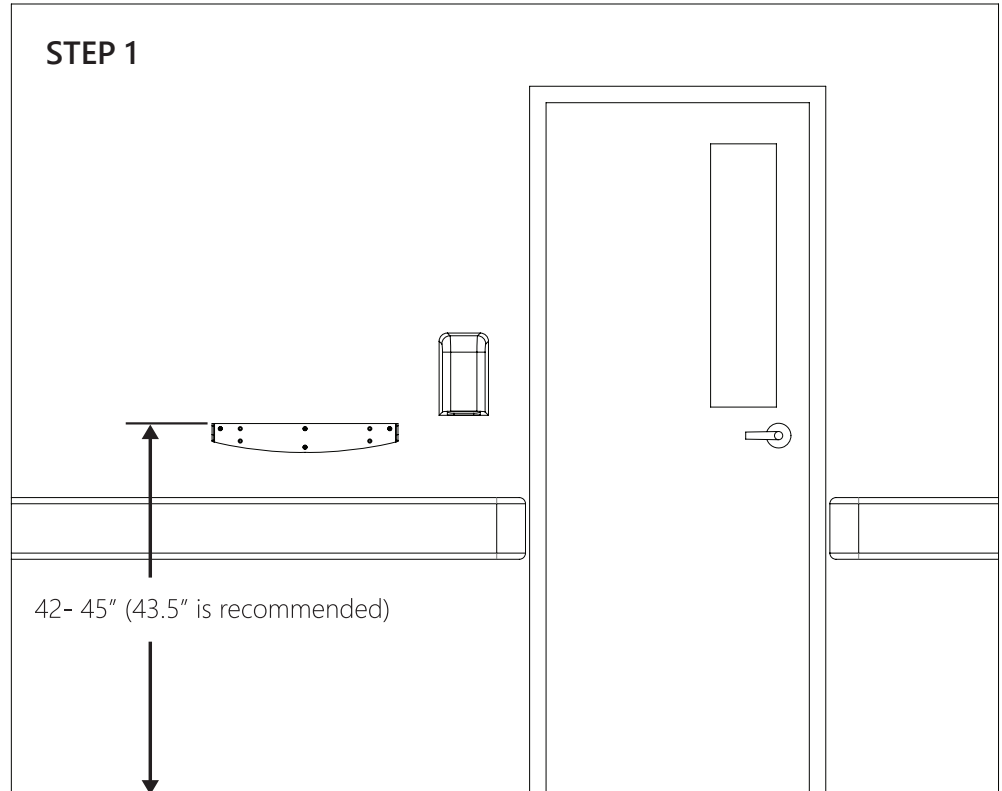
- 1x Shelf bottom - part # PE90001
- 1x Shelf top - part # PE90000
- 2x End Caps - part # PE90002, PE90003
- 1x Wall Mounting Bracket
- 4x #10x32 -3/4" Counter Sunk Head, Hex Drive Bolts

## TOOLS REQUIRED:

- Drill - 1/2" bit
- Measuring tape / level
- 1/8" Hex Drive
- #2 Phillips Drive

## HARDWARE REQUIRED:

- 4x 1/4" x 1 1/2" - Counter Sunk, Heavy Duty Anchor Bolts



### STEP 1

### STEP 1

Determine the height to mount the Hand Hygiene Utility Shelf. Ergonomics suggests the top of the shelf should be between 42-45" from the floor. **We recommend 43.5"**.

### STEP 2

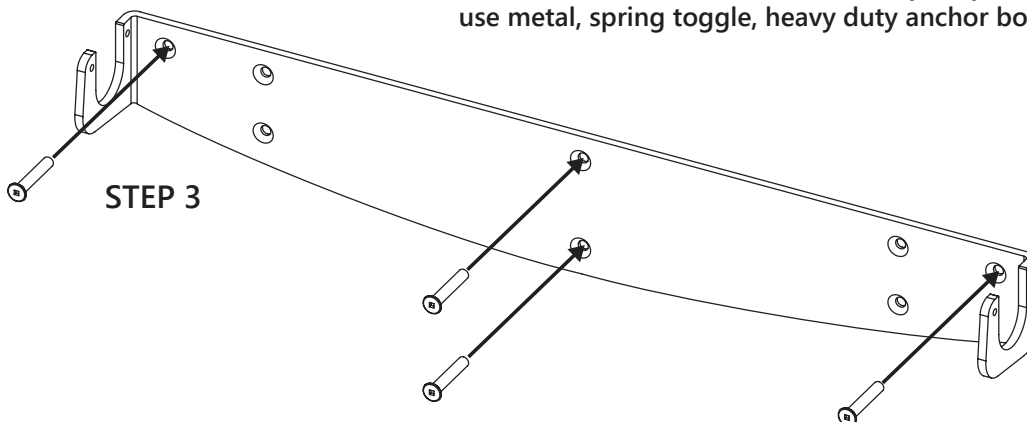
Mark a line on the wall at your desired height. Place the top of the metal mounting bracket along the line and use the bracket as hole template. Mark the holes on the wall, remove the metal bracket and proceed to drill the holes.

### STEP 3

**Drill 1/2" clearance holes for the heavy duty anchor bolts. We recommend you use metal, spring toggle, heavy duty anchor bolts for the two outside holes and at least two middle holes.** If

desired, plastic toggle anchors can be used for the remaining holes.

The mounting bracket is pre-drilled with holes to align with studs. But we recommend only using this method to secure the Hand Hygiene Utility Shelf if the studs are made of wood.



# HAND HYGIENE UTILITY SHELF ASSEMBLY INSTRUCTIONS

22" Width

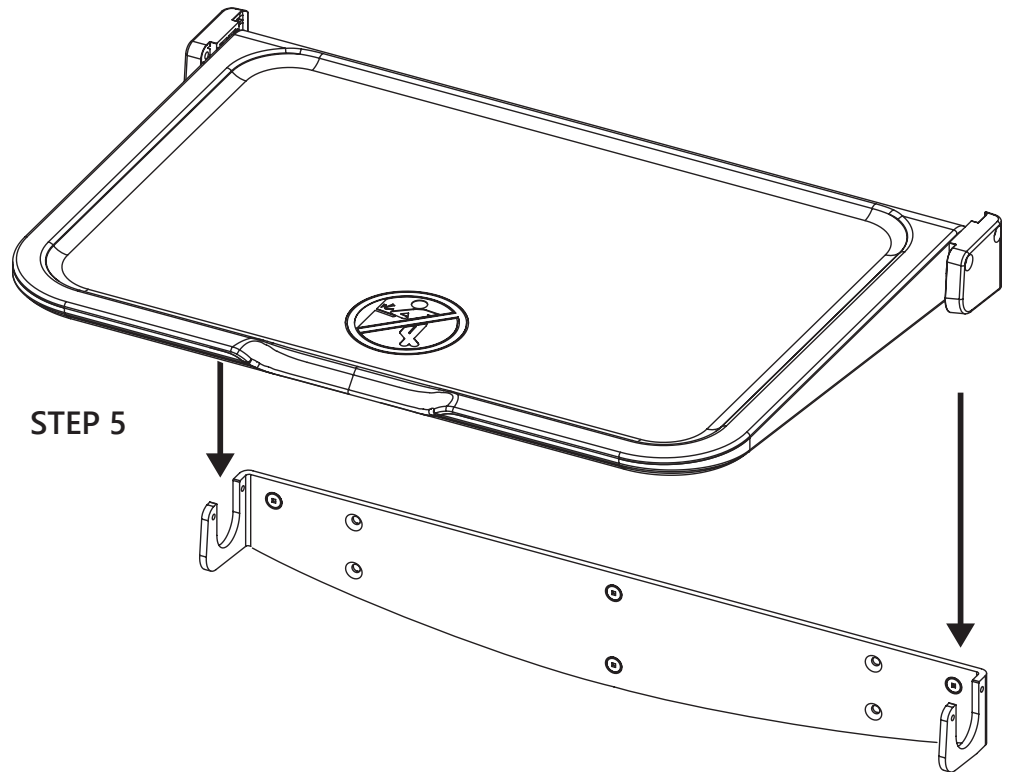
## STEP 4

Secure the mounting bracket to the wall.

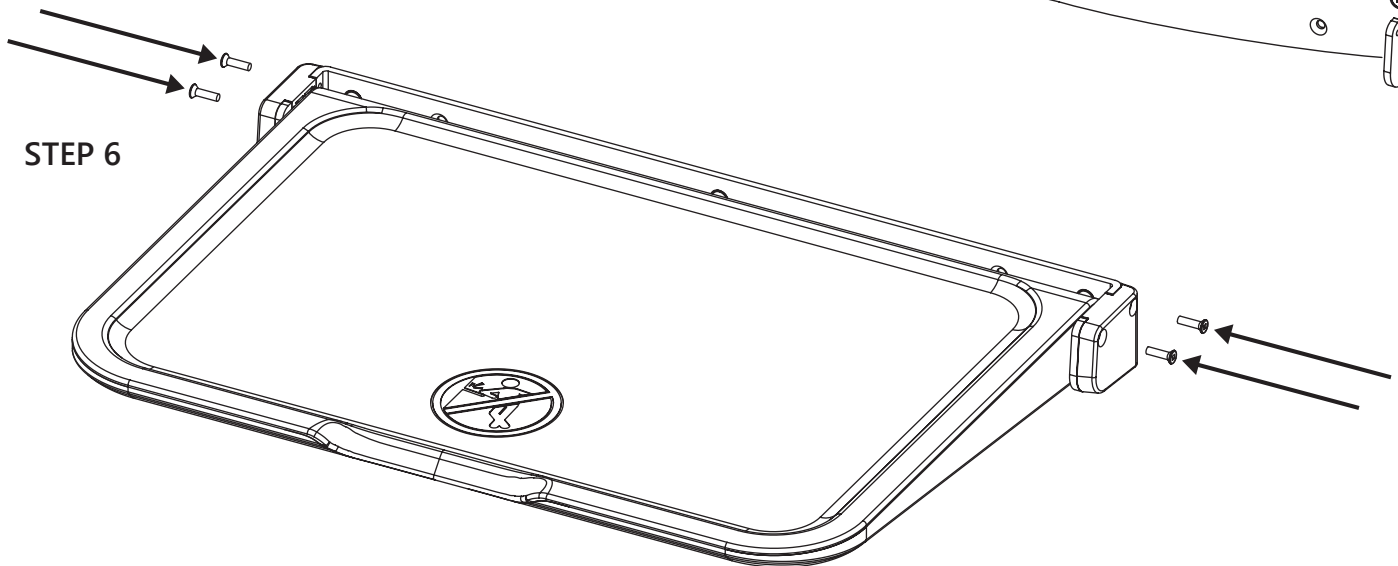
## STEP 5

**Lower the Hand Hygiene Utility Shelf onto the wall mounting bracket.** Ensure the end caps are in place and aligned as the picture illustrates.

The plastic components should drop into the cut out sections of the wall mounting bracket. After the plastic parts are in place, the Hand Hygiene Utility Shelf will be self-supported.



## STEP 5



## STEP 6

## STEP 6

**Install 4 #10/32 counter sunk, hex drive bolts through the end caps into the wall mounting bracket.** This will secure the plastic components in place.